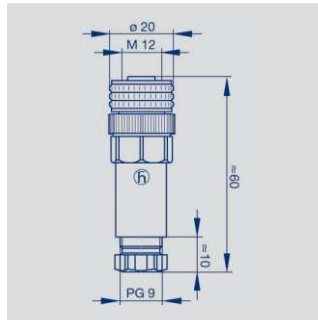
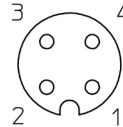


Accessories Connector System M12



Pin assignment



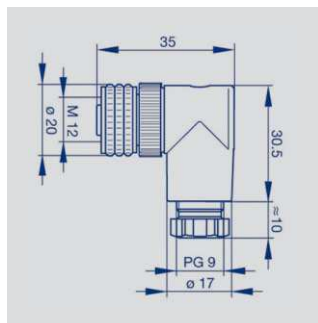
IP67

M12x1 Mating female connector, 4-pin, straight, with coupling nut, screw termination, IP67, not shielded

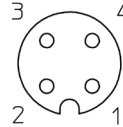
Connector housing	Plastic PBT
	-25 °C...+90 °C

For wire gauge	6...8 mm, max. 0.75 mm ²
----------------	-------------------------------------

Type	EEM 33-88, P/N 005633
------	-----------------------



Pin assignment



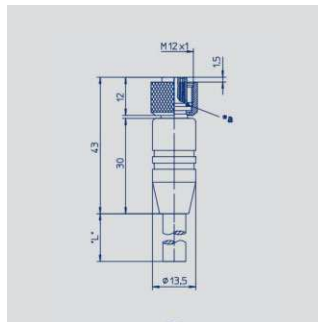
IP67

M12x1 Mating female connector, 4-pin, angled, with coupling nut, screw termination, IP67, not shielded

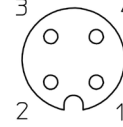
Connector housing	Plastic PBT
	-25 °C...+90 °C

For wire gauge	6...8 mm, max. 0.75 mm ²
----------------	-------------------------------------

Type	EEM 33-89, P/N 005634
------	-----------------------



Pin assignment



IP67

UL



- 1 = brown
- 2 = white
- 3 = blue
- 4 = black

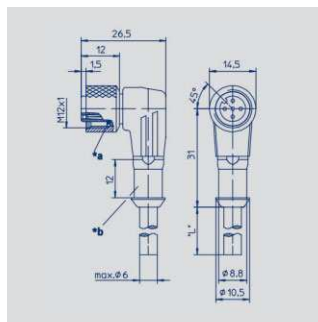
M12x1 Mating female connector, 4-pin, straight, with molded cable, shielded, IP67, open ended

Connector housing	Plastic PA
-------------------	------------

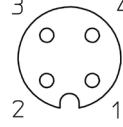
Cable sheath	PUR; Ø = max. 6 mm, -25 °C...+80 °C (moved) -50 °C...+80 °C (fixed)
--------------	---

Wires	PP, 0.34 mm ²
-------	--------------------------

Length	Type	P/N
2 m	EEM 33-32	005600
5 m	EEM 33-62	005609
10 m	EEM 33-97	005650



Pin assignment



IP67

UL



- 1 = brown
- 2 = white
- 3 = blue
- 4 = black

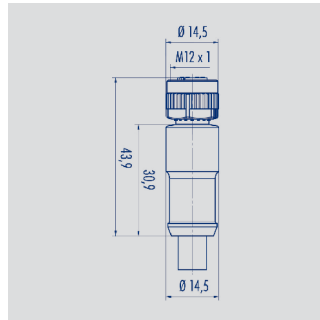
M12x1 Mating female connector, 4-pin, angled, with molded cable, shielded, IP67, open ended

Connector housing	Plastic PA
-------------------	------------

Cable sheath	PUR; Ø = max. 6 mm, -25 °C...+80 °C (moved) -50 °C...+80 °C (fixed)
--------------	---

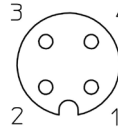
Wires	PP, 0.34 mm ²
-------	--------------------------

Length	Type	P/N
2 m	EEM 33-33	005601
5 m	EEM 33-63	005610
10 m	EEM 33-99	005696



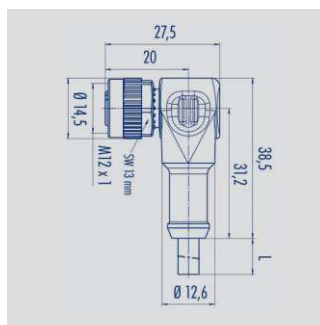
Pin assignment

- 1 = brown
- 2 = white
- 3 = blue
- 4 = black



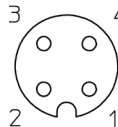
M12x1 Mating female connector, 4-pin, straight, with molded cable, not shielded, IP67, open ended

Connector housing	Plastic PA	
Cable sheath	PUR; Ø = max. 6 mm, -40 °C...+85 °C (fixed)	
Wires	PP, 0.34 mm ²	
Length	Type	P/N
2 m	EEM 33-35	056135
5 m	EEM 33-36	056136
10 m	EEM 33-37	056137



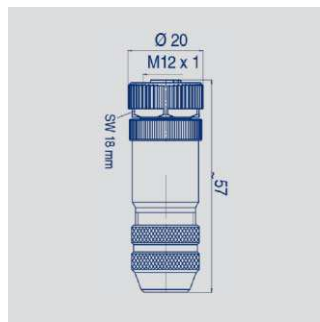
Pin assignment

- 1 = brown
- 2 = white
- 3 = blue
- 4 = black



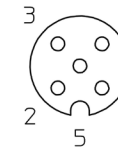
M12x1 Mating female connector, 4-pin, angled, with molded cable, not shielded, IP67, open ended

Connector housing	Plastic PA	
Cable sheath	PUR; Ø = max. 6 mm, -40 °C...+85 °C (fixed)	
Wires	PP, 0.34 mm ²	
Length	Type	P/N
2 m	EEM 33-38	056138
5 m	EEM 33-39	056139
10 m	EEM 33-40	056140



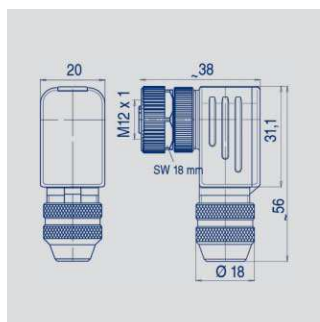
Pin assignment

- 1 = brown
- 2 = white
- 3 = blue
- 4 = black



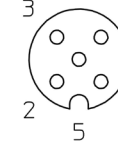
M12x1 Mating female connector, 5-pin, straight, with coupling nut, screw termination, IP67, shielded, CAN-Bus

Connector housing	Metal -40 °C...+85 °C	
For wire gauge	6...8 mm, max. 0.75 mm ²	
Type	EEM 33-73, P/N 005645	



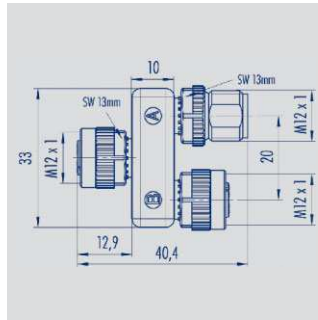
Pin assignment

- 1 = brown
- 2 = white
- 3 = blue
- 4 = black

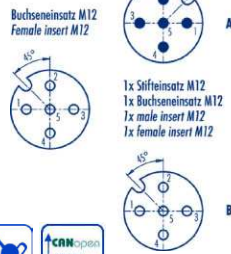


M12x1 Mating female connector, 5-pin, angled, with coupling nut, screw termination, IP67, shielded, CAN-Bus

Connector housing	Metal -40 °C...+85 °C	
For wire gauge	6...8 mm, max. 0.75 mm ²	
Type	EEM 33-75, P/N 005646	



Pin assignment



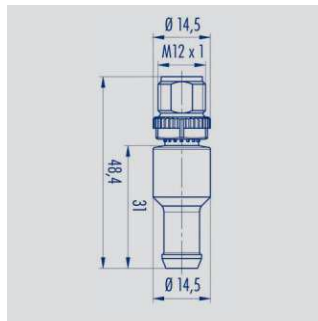
M12x1 splitter / T-connector, 5-pin, IP68, 1:1 connection, female - male - female, CAN-Bus

Connector housing PUR

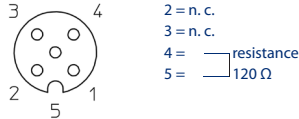
Temperature

range -25 °C... +85 °C

Type EEM 33-45, P/N 056145



Pin assignment



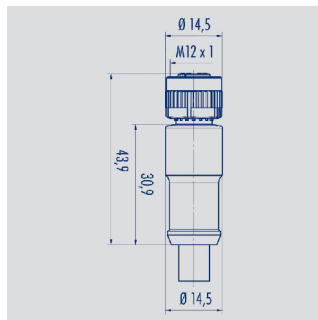
M12x1 terminating resistor, 5-pin, IP67, 120 Ω resistance, CAN-Bus

Connector housing PUR

Temperature

range -25 °C... +85 °C

Type EEM 33-47, P/N 056147



Pin assignment

- 1 = shield
- 2 = red (0,34 mm²)
- 3 = black (0,34 mm²)
- 4 = white (0,25 mm²)
- 5 = blue (0,25 mm²)

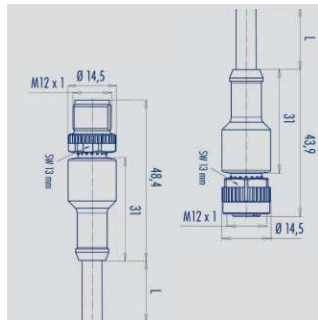
M12x1 Mating female connector, 5-pin, straight, with molded cable, IP67, shielded, open ended, CAN-Bus

Connector housing PUR

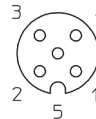
Cable sheath PUR Ø = max. 7.2 mm, -25 °C...+85 °C (moved)

Wires PP 2x 0.25 mm² + 2 x 0.34 mm²

Length	Type	P/N
2 m	EEM 33-41	056141
5 m	EEM 33-42	056142
10 m	EEM 33-43	056143



Pin assignment



M12x1 Mating female connector, 5-pin, straight, with molded cable, IP68, CAN-Bus

Connector housing PUR

Cable sheath PUR; Ø 7.2 mm -25 °C... +85 °C (fixed)

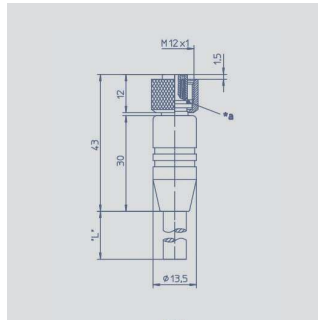
Length	Type	P/N
5 m	EEM 33-44	056144



Novotechnik U.S., Inc.
155 Northboro Road
Southborough, MA 01772

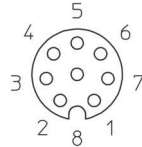
Phone 508 485 2244
Fax 508 485 2430
info@novotechnik.com
www.novotechnik.com

© 09/2014
Subject to change.



Pin assignment

- 1 = white
- 2 = brown
- 3 = green
- 4 = yellow
- 5 = grey
- 6 = pink
- 7 = blue
- 8 = red



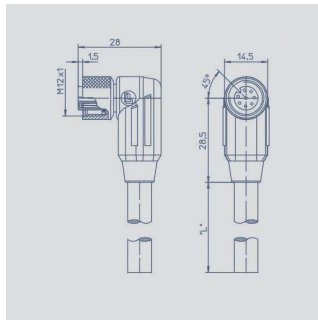
M12x1 Mating female connector, 8-pin, straight, with molded cable, shielded, IP67, open ended

Connector housing Plastic PA

Cable sheath PUR; Ø = max. 8 mm, -25 °C...+80 °C (moved) -50 °C...+80 °C (fixed)

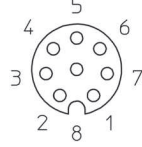
Wires PP, 0.25 mm²

Length	Type	P/N
2 m	EEM 33-86	005629
5 m	EEM 33-90	005635
10 m	EEM 33-92	005637



Pin assignment

- 1 = white
- 2 = brown
- 3 = green
- 4 = yellow
- 5 = grey
- 6 = pink
- 7 = blue
- 8 = red



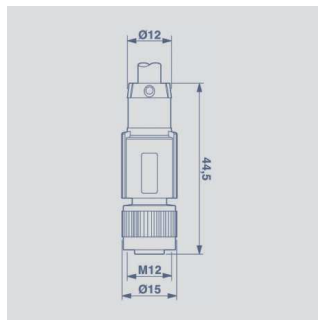
M12x1 Mating female connector, 8-pin, angled, with molded cable, shielded, IP67, open ended

Connector housing Plastic PA

Cable sheath PUR; Ø = max. 8 mm, -25 °C...+80 °C (moved) -50 °C...+80 °C (fixed)

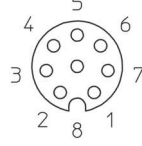
Wires PP, 0.25 mm²

Length	Type	P/N
2 m	EEM 33-87	005630
5 m	EEM 33-91	005636
10 m	EEM 33-93	005638



Pin assignment

- 1 = n.c.
- 2 = orange/white
- 3 = orange
- 4 = n.c.
- 5 = green/white
- 6 = blue (0.38 mm²)
- 7 = brown (0.38 mm²)
- 8 = green



M12x1 Mating female connector, 8-pin, straight, with molded 6-pin cable, shielded, IP67, open ended, bus system-cable VARAN

Connector housing Plastic PA

Cable sheath PP; Ø = max. 7.8 mm, -25 °C...+90 °C (socket) -20 °C...+80 °C (cable)

Wires PP, 4x0.25 mm² (signal) 2x0.38 mm² (supply)

Length	Type	P/N
2 m	EEM 33-01	056131
5 m	EEM 33-02	056132
10 m	EEM 33-03	056133

IP67 Protection class to DIN EN 60529

IP68 Schutzart IP68 nach DIN EN 60529

canopen CAN-bus

Very good Electromagnetic Compatibility (EMC) and shield systems

Very good resistance to oils, coolants und lubricants

UL UL - approved

Suited for applications in dragchains

Note: The protection class is valid only in locked position with its plugs. The application of these products in harsh environments must be checked in particular cases.